



TECHNICAL DOCUMENTATION

MULTIPOINT CONNECTORS 32 CONNECTIONS

Inoréa Automation & Industry
9 rue du Lugan
33130 BEGLES
contact@inorea.com
www.inorea.com

DESCRIPTION ET FEATURES:

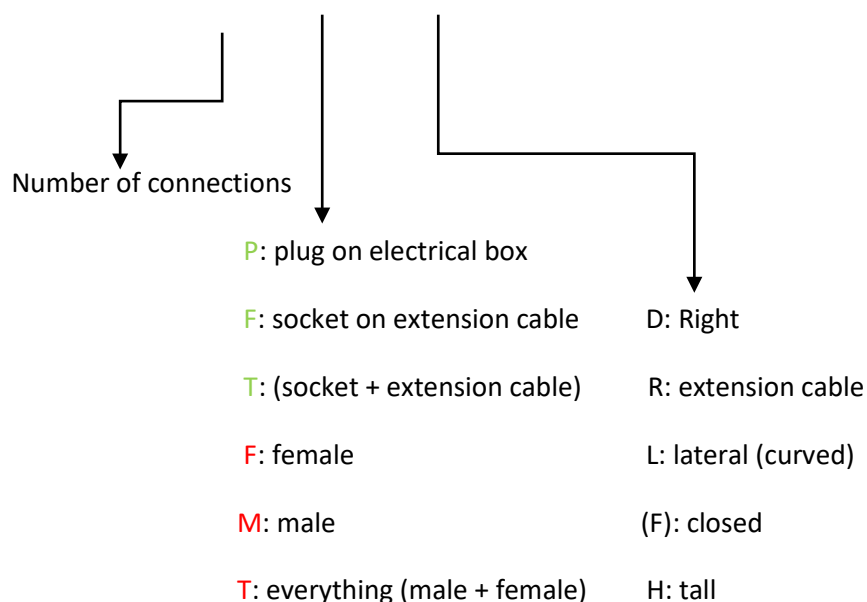
- Number of connections = 32 connections + ground
- Terminal block to be screwed
- Nominal tension: 400/500 V
- Nominal intensity: 10 A
- Protection: IP 65
- Cable glanding supplied: PG16 (ø20)
- Male and female connections are interchangeable between the plug and the socket
- Possibility to connect the plug on a wire
- Plug and socket made in metal

(For the plug to be connected on the electrical box, seals are supplied but not the screws)


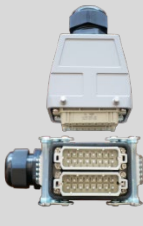


Plug: to be fixed on the electrical box

Socket: to be fixed on a wire

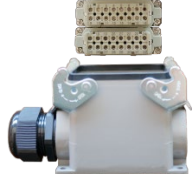
CMB_10_P^F_D(F)_010



1. Combinations

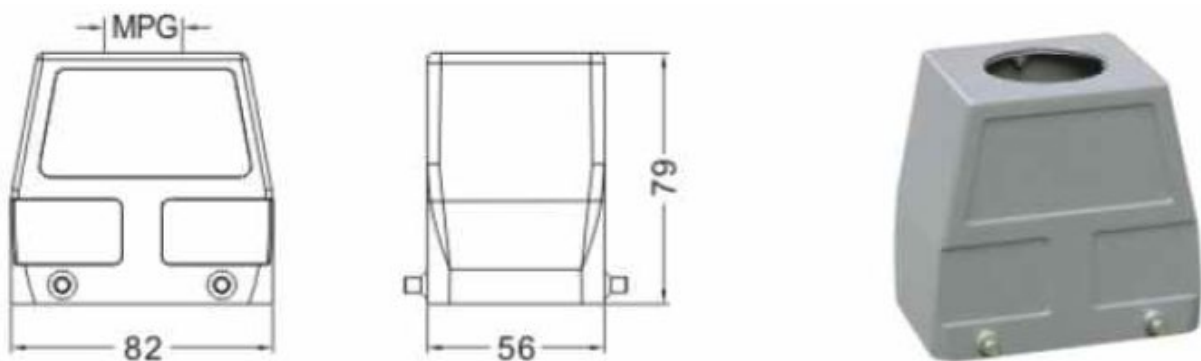
Références	Descriptif	Photos
Complete batches		
CMB_32_TT_D_010	Batch including: - 1 plug with base to fix on the electrical box - 1 connection: right socket - connection male/female interchangeable	
CMB_32_TT_DH_010	Batch including: - 1 tall plug with base to fix on the electrical box - 1 connection: right socket - connection male/female interchangeable	
CMB_32_TT_L_010	Batch including: - 1 plug with base to fix on the electrical box - 1 connection: curved socket - connection male/female interchangeable	
CMB_32_TT_LH_010	Batch including: - 1 tall plug with base to fix on the electrical box - 1 connection: curved socket - connection male/female interchangeable	

References	Descriptions	Photos
Combinations		
CMB_32_FM_D_010	Socket connection: right + male	
CMB_32_FM_L_010	Curved socket connection + male	
CMB_32_FF_D_010	Socket connection: right + female	
CMB_32_FF_L_010	Curved socket connection + female	
CMB_32_PM_D_010	Plug with base to be fixed on the electrical box + male	
CMB_32_PM_DH_010	Tall plug with base to be fixed on the electrical box + male	
CMB_32_PF_D_010	Plug with base to be fixed on the electrical box + female	

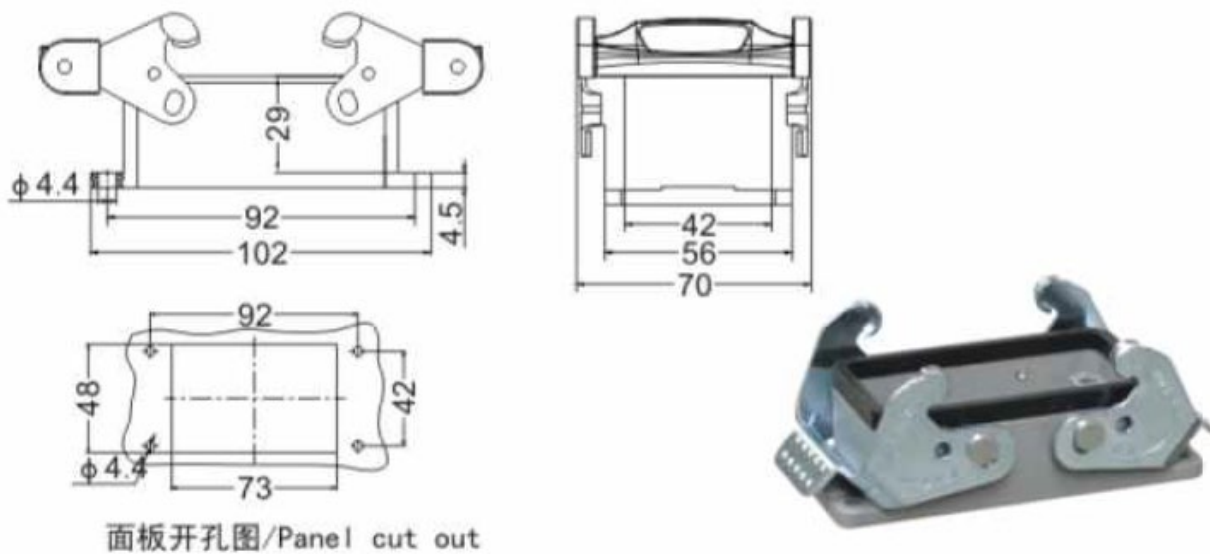
CMB_32_Pf_DH_010	Tall plug with base to be fixed on the electrical box + female	
------------------	--	---

2. Draws

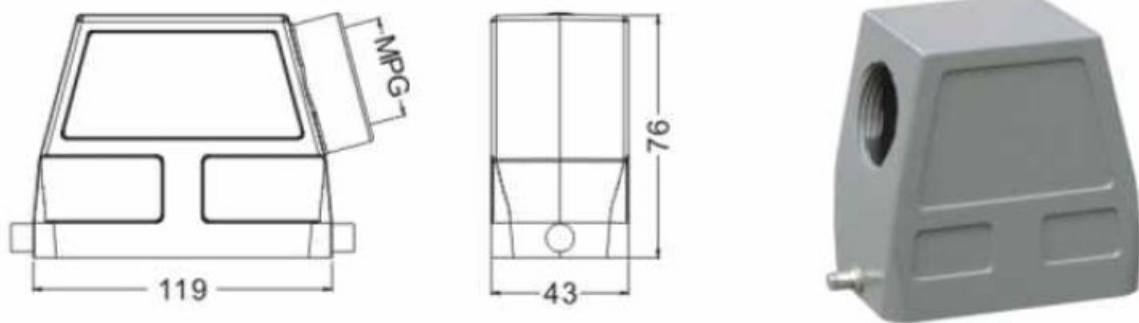
Right socket: CMB_32_Fx_D_010



Plug with base to be fixed on the electrical box: CMB_32_Px_D_010



Curved socket : CMB_32_Fx_L_010



Plug with base to be fixed on the electrical box: CMB_32_Px_DH_010

